

RESIDENTIAL GATE

Installation Instructions

NOTE: THIS GATE WILL ONLY OPEN TO ONE SIDE.

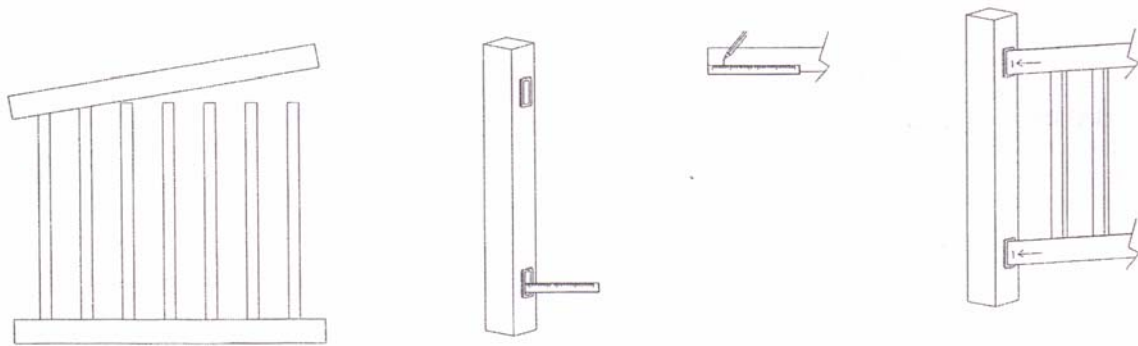
ASSEMBLE GATE PRIOR TO SETTING GATEPOST!

To prevent scratches or damage to the surface of the gate product, lay fence gate section on a clean, dry area, protected by cardboard or plastic sheet.

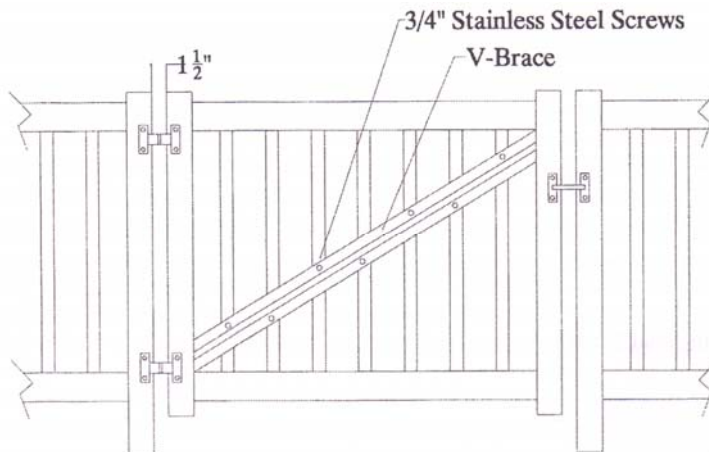
If you are using routed rails, remember, the spacing between pickets cannot be adjusted. The rails should be cut so the pickets are centered between the gate stiles. Make sure the top and bottom rails are cut identically so the pickets will be vertical when the gate is assembled.

Some gate styles come with pre-installed gate buckets. If your style does not have the gate buckets installed, place gate buckets in the routed holes of the posts. Drill 1/8" pilot holes on each corner and 2 holes on the long sides. You should have 6 drilled holes when finished. Install #8 x 3/4" screws in the holes. Repeat for all gate buckets. Flip gate post around and insert 2 #8 x 3/4" screws through the post into the back of the gate bucket. Repeat for all gate buckets.

Assemble the interior of the gate by inserting the pickets into the rails. Measure depth of gate bucket and mark rails. Apply glue to the inside of gate buckets on one stile. Insert the rails all the way into the buckets using marks to confirm depth. (Drive with rubber mallet.) Repeat on opposite gate stile.

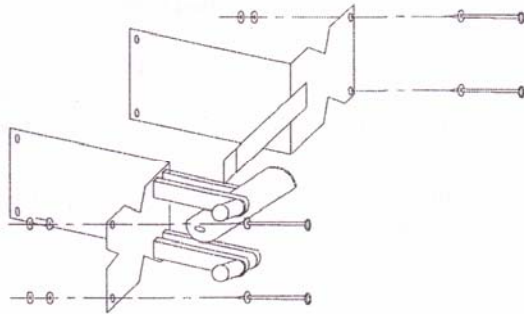


Cut the V-brace to the required length. Please note that 36" wide gates do not require a v-brace. The V-brace should be attached on both sides of the gate from the bottom of the hinge side to the bottom of the top rail on the latch side. If gate has a middle rail, the V-brace should be below the middle rail. Secure the braces using 3/4" stainless steel painted screws or 3/4" stainless steel screws with washers and screw caps depending on the gate style. One screw in each vertical picket. (See diagram below.) Determine the exact width of the opening between the two gateposts. The gate hardware requires 1-1/2" to operate properly; therefore, the width of the opening will be at least 3" more than the width of the gate. Some styles of hardware are adjustable. Install post, placing concrete around outside of post only. The gatepost holes should be 30" deep and 10" wide. If in an area where ground freezes, go to depth of 34" to 36". Fill outside hole around gatepost with concrete to within 6" of ground level.

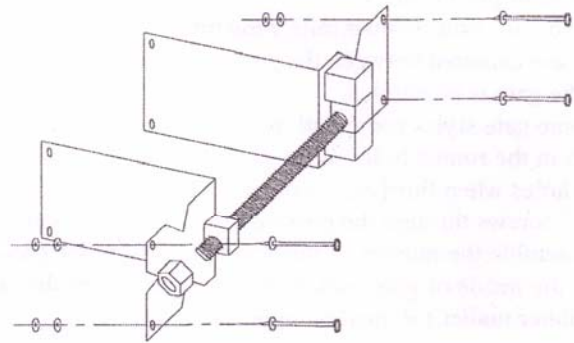


RESIDENTIAL GATE INSTALLATION INSTRUCTIONS---PAGE 2

Align gate with the fence using blocks to lift and hold gate making sure there is a minimum of 1-1/2" gap on each side of the gate for clearance. Fasten hardware to posts and stiles. Install gate hinges so one bolt goes through the rail inside the post and the post to anchor them together.



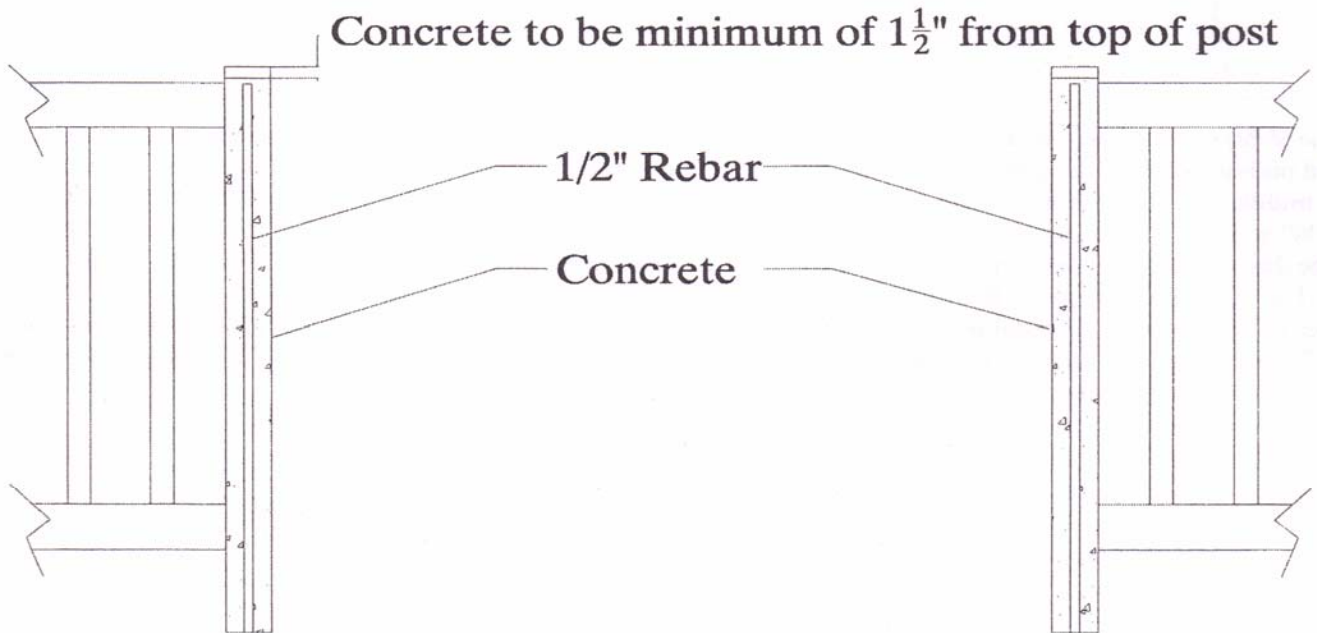
Latch



Hinge

GATEPOSTS MUST BE FILLED WITH CONCRETE AFTER HARDWARE HAS BEEN ATTACHED.

Insert two pieces of 1/2" rebar the length of the post in opposite corners with top of rebar 2" from the top of the post. Using a funnel, fill gateposts with concrete covering the rebar. The gate must be blocked up or removed until the gateposts have set for at least 24 hours.



* For additional directions, read the instructions included with the Latch Kit.

2-Way Latch
Self-Closing Hardware
(not pictured)