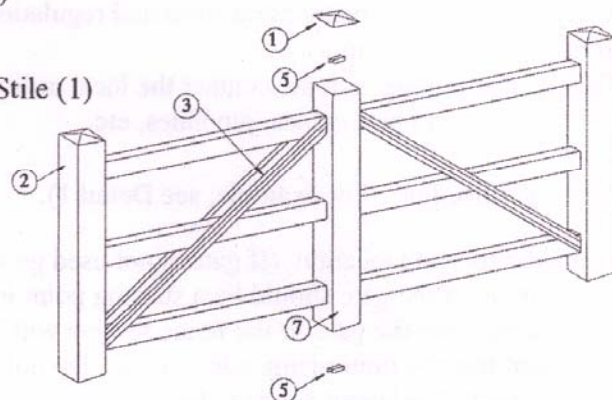


## RANCH FENCE GATE INSTALLATION INSTRUCTIONS:

9. Check to make sure you have all parts to assemble gate. Outdoor Technologies does not recommend a ranch gate wider than 10'!

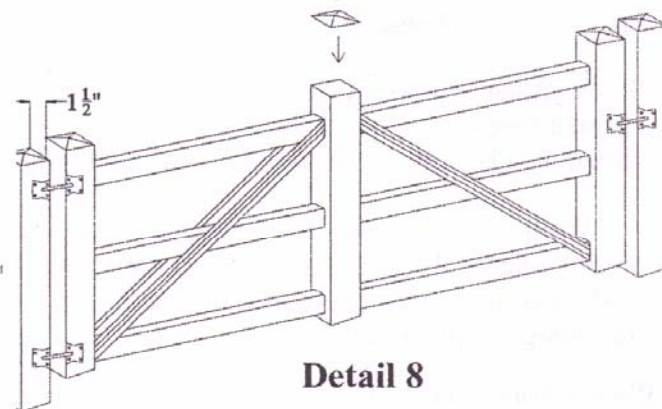
NOTE: In your box, you should have the following parts. (Detail 7)  
4' or narrow ranch gates do not have a middle stile or cap.

- Stile Caps (2) Narrow (3) Wide
- 5" Square End Stile (2)
- Braces (V-Channel) (2) Narrow (4) Wide
- Hinges (2)\*
- 1 1/2" X 3/4" U-Channel (2) wide only
- One can of Vinyl Glue
- 5" Square Middle Stile (1) (Wide only)
- Latch (1)\*
- All Hardware\*



**Detail 7**

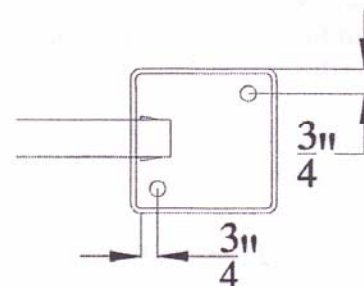
10. Using a pencil mark all ends of rails 4 3/4" from each end. This is done to check that rails are fully inserted into gate buckets when they are assembled. Apply glue to inside of gate buckets on one end stile. Insert pre-cut rails into the glued buckets on the end stile making sure they are inserted to the pre-measured mark on rails. Next, slide middle stiles to the centers of the rails. Apply glue on the other end stile gate buckets and insert the rails to the pre-measured mark. Measure the center of the gate and position middle stile over center mark. Apply glue on top rail inside the center stile and insert u-channel over rail inside the middle stile. Drill a 1/8" pilot hole through u-channel and rail and fasten together with screw. Flip gate and repeat these steps on opposite end of middle stile.



**Detail 8**

11. Layout and measure supplied v-channel crossbars, marking them for cutting. Drill all necessary holes and fasten with supplied screws, washers and screw caps. Glue in stile caps on top of gate stiles.

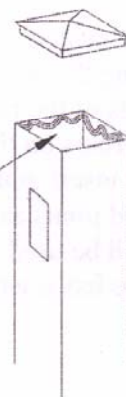
12. Align gate with the fence using blocks to lift and hold the gate. Make sure there is a 1 1/2" gap on each side of the gate for clearance. Mark post and stiles for drilling to attach the hinges, latch and latch bar. Hinges should be positioned so at least one bolt goes through the gate bucket of the top and bottom rail. Drill all the way through pre-marked holes on stiles and post. Fasten with 5/16" X 5 1/2" bolts and nuts provided. **DO NOT OVERTIGHTEN NUTS TO PREVENT DAMAGE TO POSTS.** (Detail 8)



**Detail 9**

13. **GATEPOSTS MUST BE FILLED WITH CEMENT AFTER HARDWARE HAS BEEN ATTACHED.** Insert two pieces of 1/2" rebar the length of the post in opposite corners (See DETAIL9) with top of rebar 2" from the top of the post. Using a funnel, fill gatepost with cement completely covering the rebar. Concrete should be within 1-1/2" of top of gatepost. The gate must be blocked up or removed until the gatepost has set for 24 hours.

**Apply glue to inside of post.**



**Detail 10**

14. Glue all post caps in place and wipe any excess glue off material (See DETAIL 10). The fence may be cleaned with a mild biodegradable soap to finish installation.