

RAILING INSTALLATION INSTRUCTIONS---FOR WOOD SLEEVING

It is the responsibility of the contractor to provide a handrail conforming to the requirements of the **BNBC/1999/** where required.

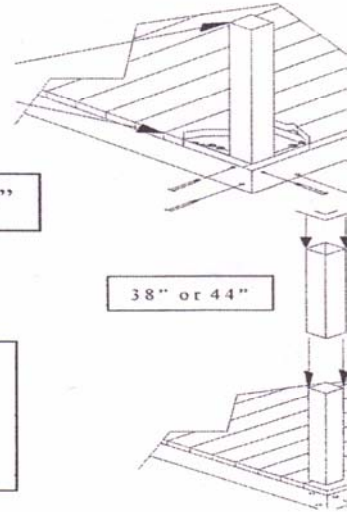
Any galvanized component, if cut or marred, must be regalvanized to prevent rusting.
All fasteners must meet local code requirements.

Step 1

Securely mount 4x4 treated wood posts to facial rimboard of deck on 6' or 8' centers. Make sure posts are plumb and secure. On 36" railing - wood posts should be 37" above deck. On 42" railing - wood posts should be 43" above deck. **Check with local code officials for proper 4 x 4 wood installation procedures!**

37" or 43"

38" or 44"



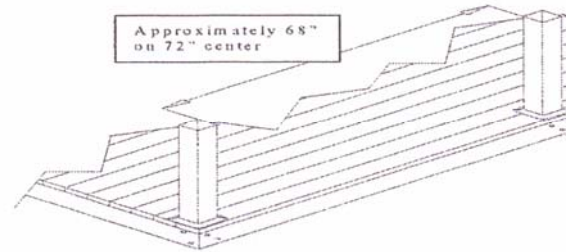
Step 2

Sleeve 4 x 4-vinyl post over wood post. Vinyl post should be 1" longer than the wood post. If using post trim, place the trim over post now.

Step 3

Measure the span railing section will cover. Cut vinyl rails to fit this dimension. **NOTE:** Cut rails equal distance from each end so picket spacing is maintained. If galvanized insert is cut be sure to regalvanize edge to prevent rusting !

Approximately 68" on 72" center

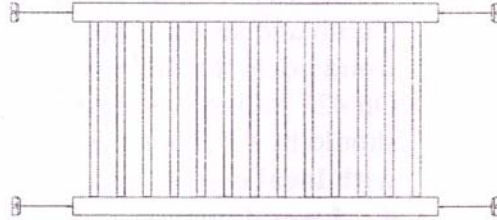
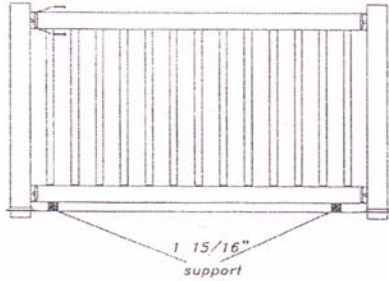


Step 4

Assemble railing section. (See Detail 1)

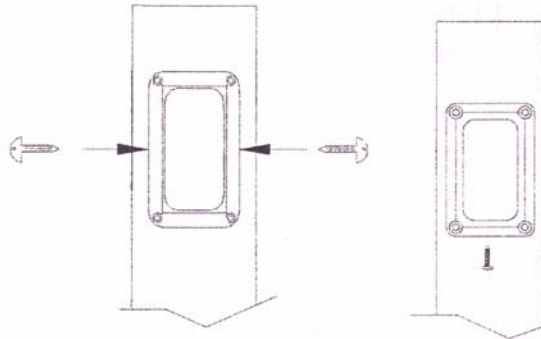
RAILING INSTALLATION INSTRUCTIONS—FOR WOOD SLEEVES—PAGE 2

Slide brackets over rail, then install assembled railing section between posts making sure bottom rail is not more than 2" from deck surface. **Note:** Place 1-15/16" support under the bottom rail on each end to locate the bracket at the proper height. Attach and secure brackets through vinyl post to wood using #10x2" stainless screws. Make sure assembled section is level and plumb before securing. (Top rail first!).



Secure rail and rail insert to bracket with #8 x 3/4" stainless screws.

Step 5



➤ Stair Rail

When going down stairs, use stair rail sections and stair brackets. (Brackets are made to accept 32° angle)

Place vinyl cap on post. Secure cap with vinyl glue.

