

Porch Post & Bracket Instructions

Parts List:

- 1—Porch Post
- 1—Top Plate
- 1—Bottom Plate
- 4—2 1/4" S. S. Screws

1. Measure opening where post is to be installed. Deduct the thickness of the top and bottom mounting plates from your measurement for the plates to determine your post length.

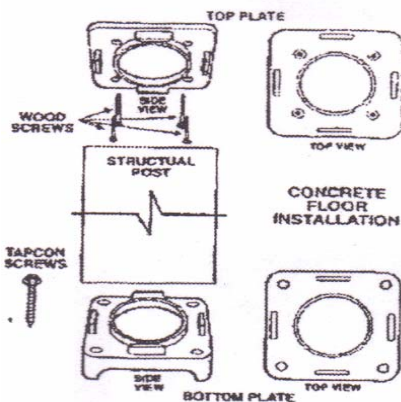
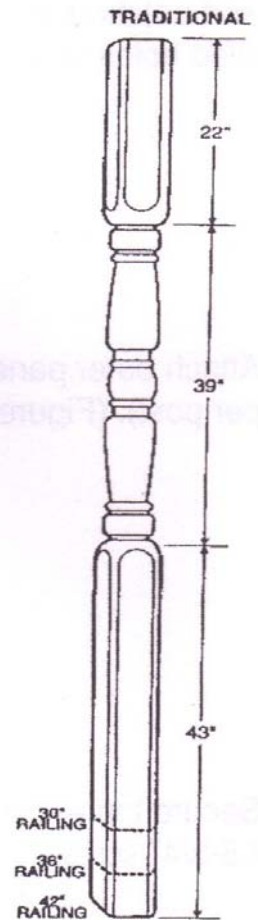
Note:

For 42" railings do not cut any off the bottom of the post. Trim the top of the post only. Otherwise, your railing will be higher than the first decorative post marking.

For 36" railings do not cut off more than 6" at the bottom of the post. Trim the remaining balance off the top of the post.

For 30" railings do not cut off more than 12" at the bottom of the post. Trim the Balance off the top of the post.

Important!!! When cutting bottom of post make sure your cut is the same pitch as the Slope of the base!



2. STRUCTURAL POST ---Concrete Floor Installation

Install the top plate using (4) 2-1/4" stainless screws (included).

Install the bottom plate using (4) 1/4" x 2-1/4" tapcon screws (not included). After installation of plates, raise the ceiling or roof up approximately 1/2". Set the post on the bottom plate. Position the top of the post with the top plate and then lower roof & plate on top of post. No need to screw post to plate.

3. STRUCTURAL POST --- Wood Floor Installation

Install the top plate using (4) 2-1/4" stainless screws (included). Install the bottom plate using (4) stainless wood screws (not included). After installation of plates, raise the ceiling or roof up approximately 1/2". Set the post on the bottom plate. Position the top of the post with top plate and then lower roof & plates on top of post. No need to screw post to plates.

